

## Lesson 19 Gear Assembly (Video Lesson)

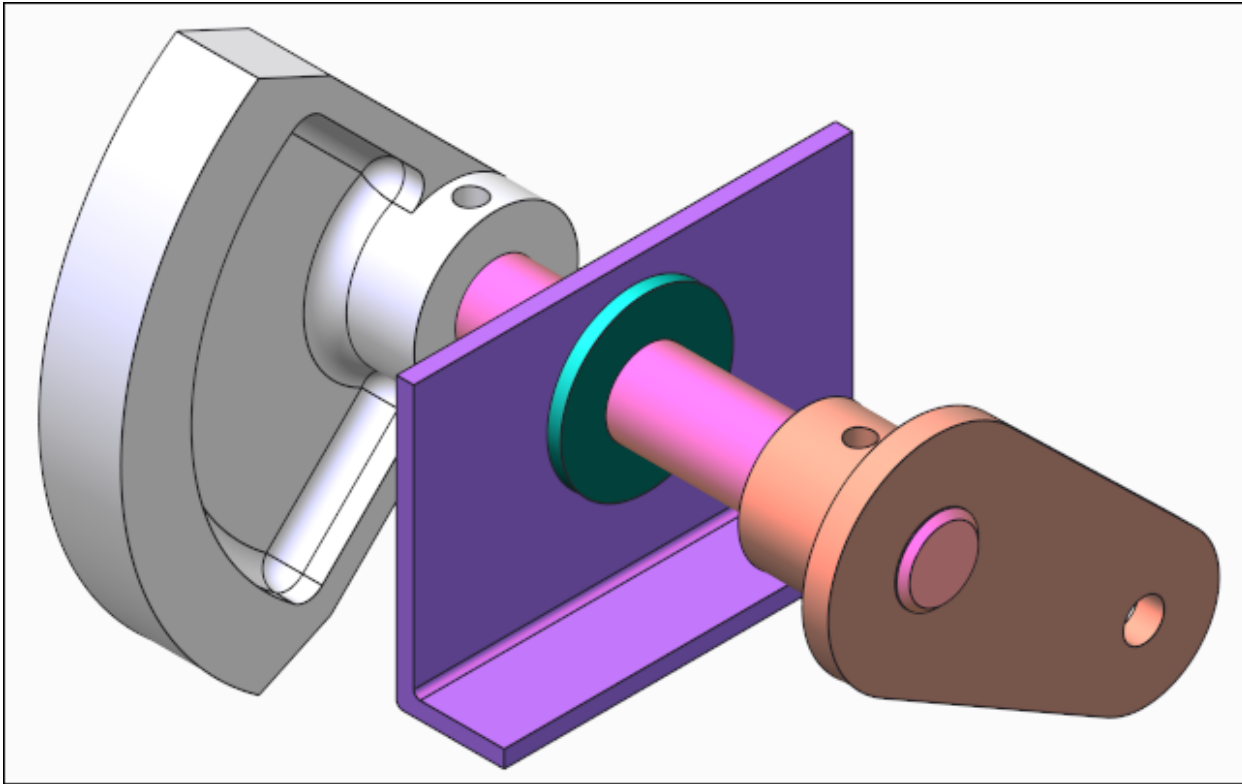


Figure 19.1 Gear Assembly

### OBJECTIVES

- Use **Assembly** commands
- Establish and edit **Units**
- Apply **Analysis** to determine **Global Interference** and **Global Clearance**
- **Measure** features to analyze components fit
- Use **Edit Definition** features to resolve design problems

### RESOURCES

- [Video Lecture](#) can be downloaded directly.
- [www.cengage.com](http://www.cengage.com) > Search > **Creo Parametric 3.0** > **Free Materials**
- Parts download at [www.cad-resources.com](http://www.cad-resources.com) > click on the appropriate book cover >



choose **commercial** or **academic** Gear Assembly

## Steps

### Follow the Steps to complete the lesson:

- **Download** the Lesson Lecture onto your hard drive
- **Play** directly from your computer using *Windows Media Player* (.wmv file)
- **Create** the assembly using the available parts
- **Check** your Units
- Use **Measure** and **Analysis** on the assembly model
- **Edit** as necessary
- **Follow** the procedures in the Lesson Lecture
- **Save** the completed assembly (and its required components) as a single **Zipped** file
- **Upload** the **zipped** file to your Course Management System as an assignment if available.

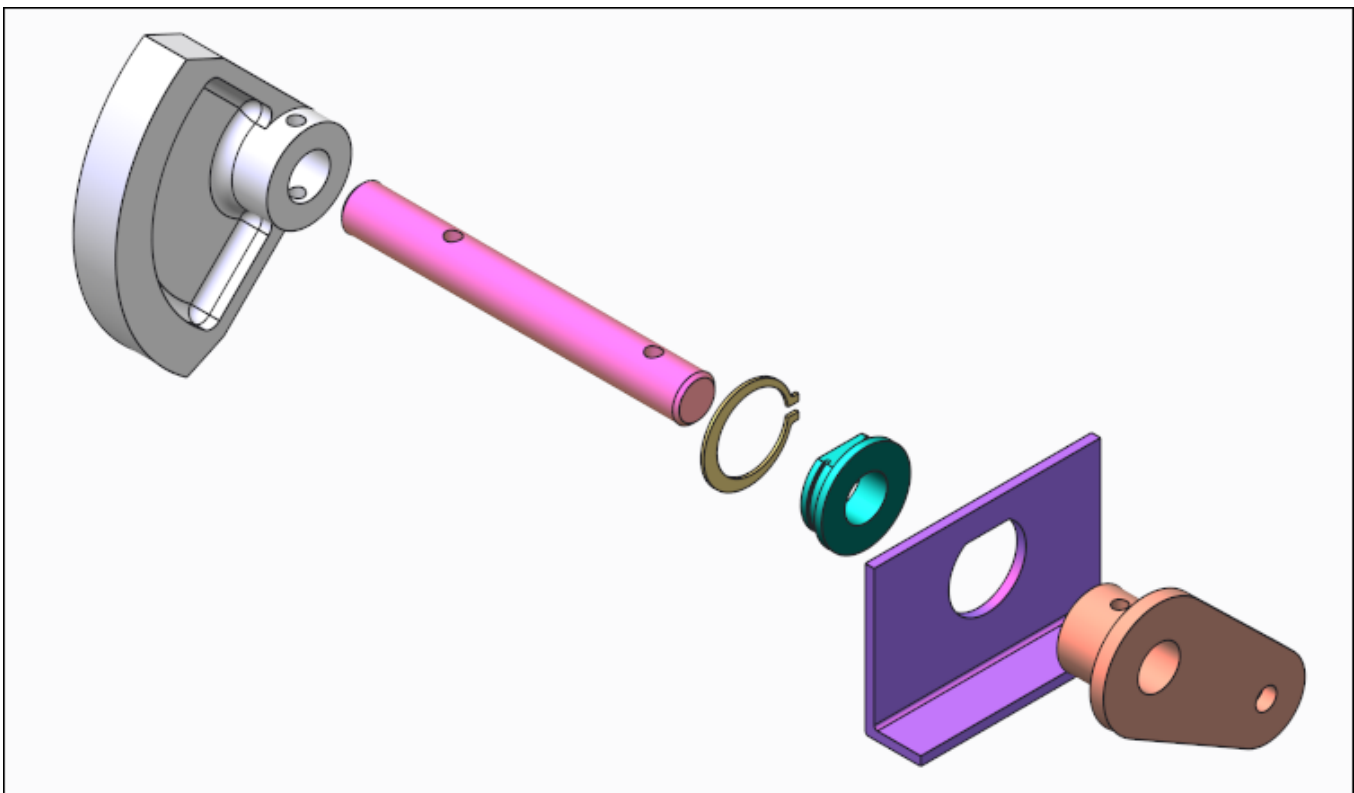


Figure 19.2 Exploded Gear Assembly